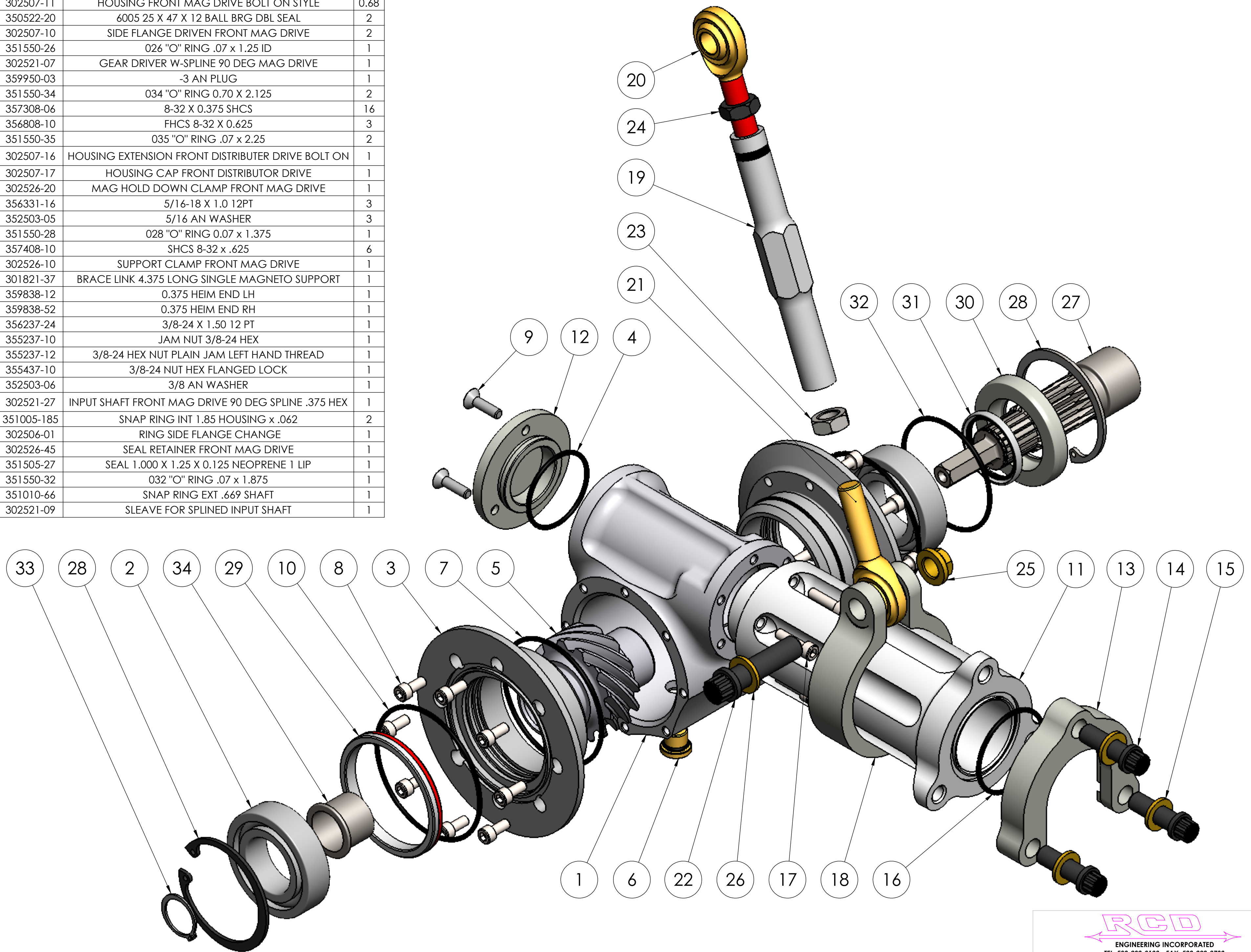


ITEM	PART NO.	DESCRIPTION	QTY.
1	302507-11	HOUSING FRONT MAG DRIVE BOLT ON STYLE	0.68
2	350522-20	6005 25 X 47 X 12 BALL BRG DBL SEAL	2
3	302507-10	SIDE FLANGE DRIVEN FRONT MAG DRIVE	2
4	351550-26	026 "O" RING .07 x 1.25 ID	1
5	302521-07	GEAR DRIVER W-SPLINE 90 DEG MAG DRIVE	1
6	359950-03	-3 AN PLUG	1
7	351550-34	034 "O" RING 0.70 X 2.125	2
8	357308-06	8-32 X 0.375 SHCS	16
9	356808-10	FHCS 8-32 X 0.625	3
10	351550-35	035 "O" RING .07 x 2.25	2
11	302507-16	HOUSING EXTENSION FRONT DISTRIBUTOR DRIVE BOLT ON	1
12	302507-17	HOUSING CAP FRONT DISTRIBUTOR DRIVE	1
13	302526-20	MAG HOLD DOWN CLAMP FRONT MAG DRIVE	1
14	356331-16	5/16-18 X 1.0 12PT	3
15	352503-05	5/16 AN WASHER	3
16	351550-28	028 "O" RING 0.07 x 1.375	1
17	357408-10	SHCS 8-32 x .625	6
18	302526-10	SUPPORT CLAMP FRONT MAG DRIVE	1
19	301821-37	BRACE LINK 4.375 LONG SINGLE MAGNETO SUPPORT	1
20	359838-12	0.375 HEIM END LH	1
21	359838-52	0.375 HEIM END RH	1
22	356237-24	3/8-24 X 1.50 12 PT	1
23	355237-10	JAM NUT 3/8-24 HEX	1
24	355237-12	3/8-24 HEX NUT PLAIN JAM LEFT HAND THREAD	1
25	355437-10	3/8-24 NUT HEX FLANGED LOCK	1
26	352503-06	3/8 AN WASHER	1
27	302521-27	INPUT SHAFT FRONT MAG DRIVE 90 DEG SPLINE .375 HEX	1
28	351005-185	SNAP RING INT 1.85 HOUSING x .062	2
29	302506-01	RING SIDE FLANGE CHANGE	1
30	302526-45	SEAL RETAINER FRONT MAG DRIVE	1
31	351505-27	SEAL 1.000 X 1.25 X 0.125 NEOPRENE 1 LIP	1
32	351550-32	032 "O" RING .07 x 1.875	1
33	351010-66	SNAP RING EXT .669 SHAFT	1
34	302521-09	SLEAVE FOR SPLINED INPUT SHAFT	1



FRONT DISTRIBUTOR DRIVE CCW ROTATION .375 HEX NEW STYLE