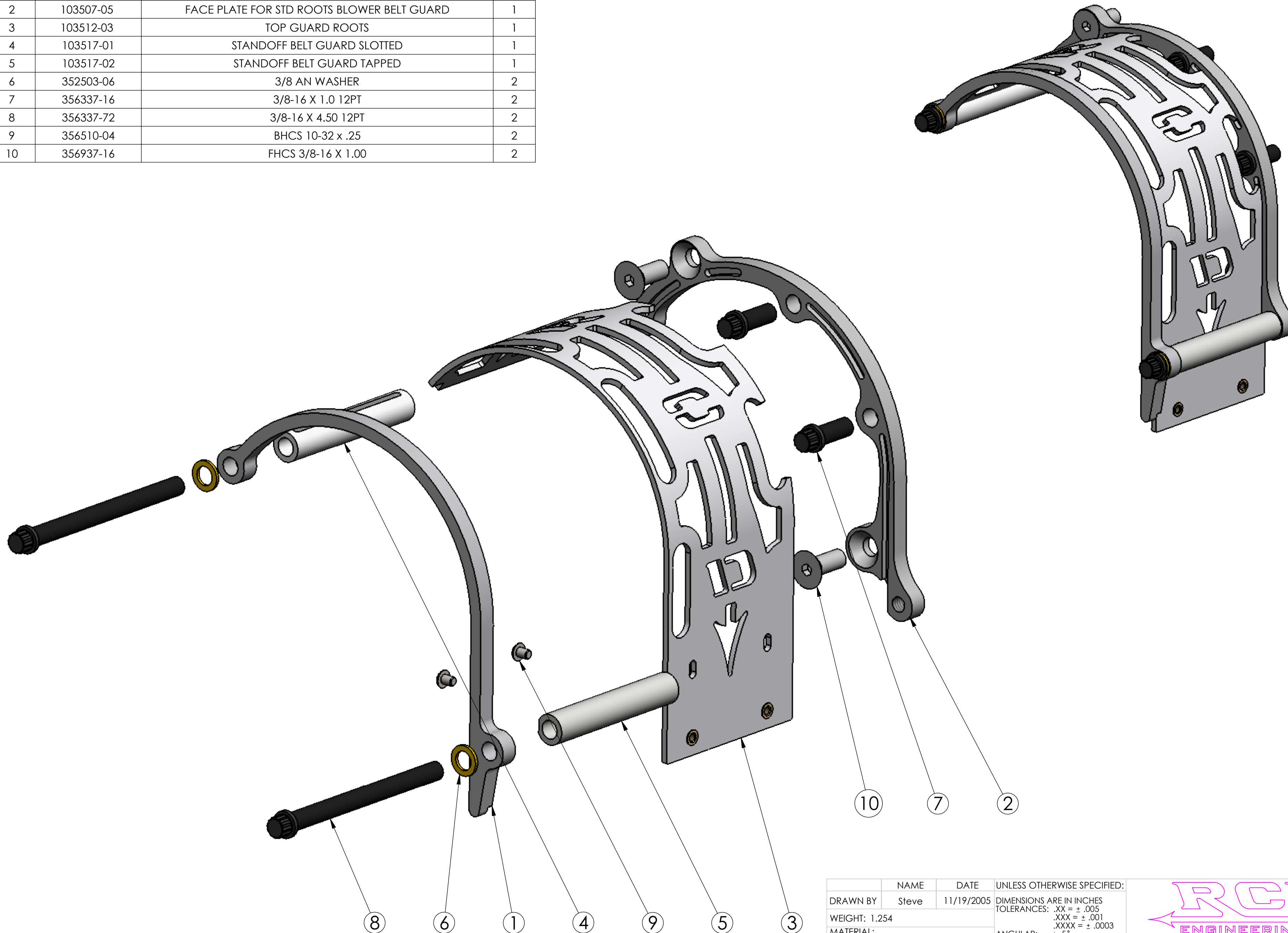



ITEM	PART NO.	DESCRIPTION	QTY.
1	103507-01	FRONT BRACE ALL BELT GUARDS	1
2	103507-05	FACE PLATE FOR STD ROOTS BLOWER BELT GUARD	1
3	103512-03	TOP GUARD ROOTS	1
4	103517-01	STANDOFF BELT GUARD SLOTTED	1
5	103517-02	STANDOFF BELT GUARD TAPPED	1
6	352503-06	3/8 AN WASHER	2
7	356337-16	3/8-16 X 1.0 12PT	2
8	356337-72	3/8-16 X 4.50 12PT	2
9	356510-04	BHCS 10-32 x .25	2
10	356937-16	FHCS 3/8-16 X 1.00	2



NAME		DATE	UNLESS OTHERWISE SPECIFIED: DIMENSIONS ARE IN INCHES TOLERANCES: .XX = ± .005 .XXX = ± .001 .XXXX = ± .0003 ANGULAR: ± .5° BREAK SHARP EDGES .005 MAX	 TEL: 530-292-3133 - FAX: 530-292-3738
DRAWN BY		Steve		
WEIGHT: 1.254				
MATERIAL:				
FINISH:		BLOWER BELT GUARD STD ROOTS		
HEAT TREAT:		PART. NO. 103507-0005		SIZE C REV
DWG LOCATION: F:\Doc_Control\103507-0005 BLOWER BELT GUARD STD ROOTS\				SCALE: 1:1
DWG FILE: 103507-0005 BLOWER BELT GUARD STD ROOTS				SHEET 1 OF 1
MODEL LOCATION: F:\Doc_Control\103507-0005 BLOWER BELT GUARD STD ROOTS\				
MODEL FILE: 103507-0005 BLOWER BELT GUARD STD ROOTS				