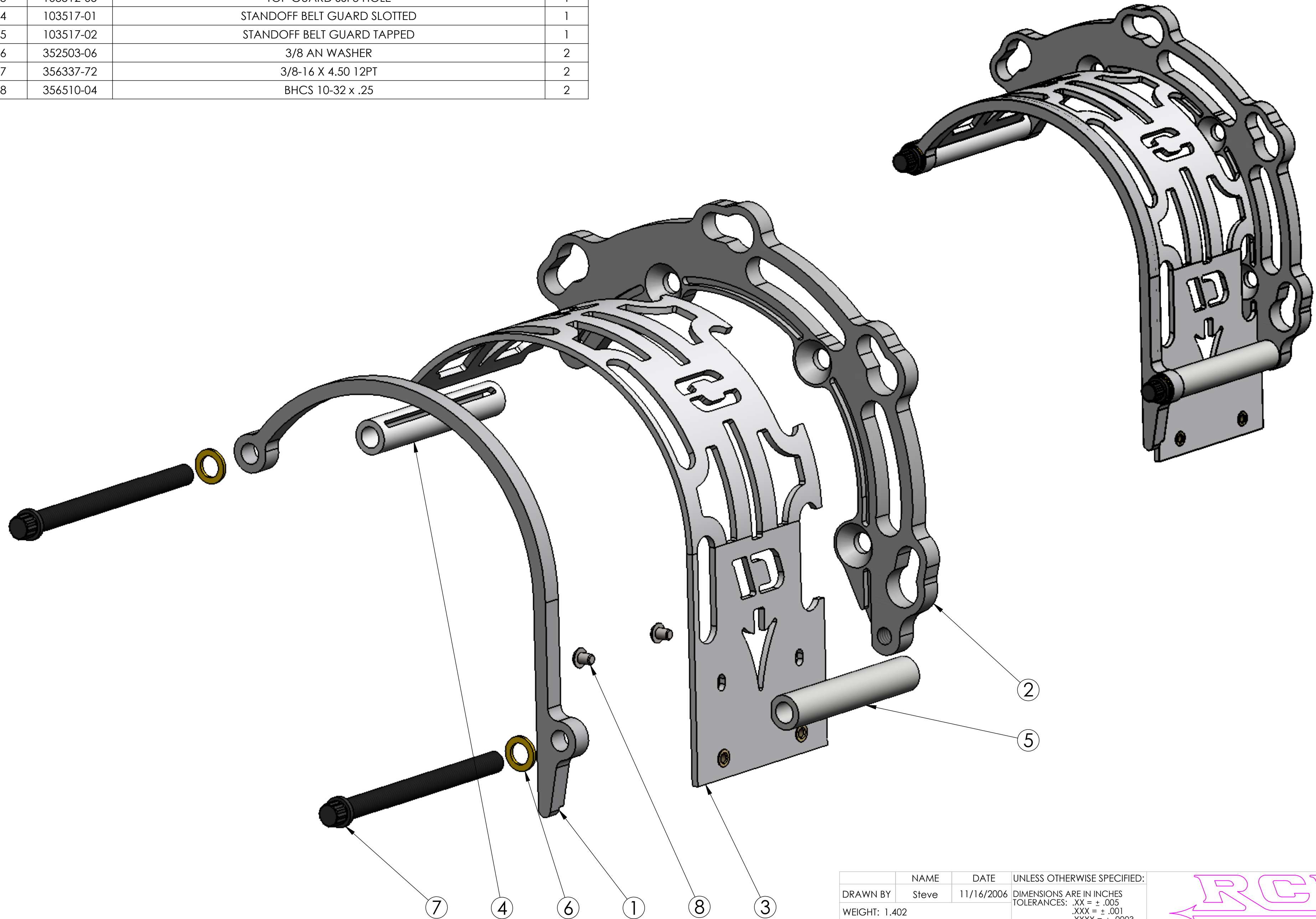



ITEM	PART NO.	DESCRIPTION	QTY.
1	103507-01	FRONT BRACE ALL BELT GUARDS	1
2	103507-09	FACE PLATE SSI 3 HOLE AND KOB W-STARTER MOUNT AND BELT GRV	1
3	103512-05	TOP GUARD SSI 3 HOLE	1
4	103517-01	STANDOFF BELT GUARD SLOTTED	1
5	103517-02	STANDOFF BELT GUARD TAPPED	1
6	352503-06	3/8 AN WASHER	2
7	356337-72	3/8-16 X 4.50 12PT	2
8	356510-04	BHCS 10-32 x .25	2



NAME	DATE	UNLESS OTHERWISE SPECIFIED:	 <b>ENGINEERING INC.</b> TEL: 530-292-3133 - FAX: 530-292-3738
DRAWN BY	Steve	11/16/2006	
WEIGHT: 1.402	DIMENSIONS ARE IN INCHES		TOLERANCES: .XX = ± .005 .XXX = ± .001 .XXXX = ± .0003 ANGULAR: ± .5° BREAK SHARP EDGES .005 MAX
MATERIAL:	FINISH:		
HEAT TREAT:			BLOWER BELT GUARD W-STARTER SSI - KOBELCO PART. NO. 103507-0009 ENGINEERING INCORPORATED TEL: 530-292-3133 - FAX: 530-292-3738
DWG LOCATION: F:\Doc_Control\103507-0009 BLOWER BELT GUARD W-STARTER SSI - KOBELCO			SIZE C REV SCALE: 1:1
DWG FILE: 103507-0009 BLOWER BELT GUARD W-STARTER SSI - KOBELCO			SHEET 1 OF 1 SHEET 9 OF 1
MODEL LOCATION: F:\Doc_Control\103507-0009 BLOWER BELT GUARD W-STARTER SSI - KOBELCO			
MODEL FILE: 103507-0009 BLOWER BELT GUARD W-STARTER SSI - KOBELCO			PART NO. 103507-0009