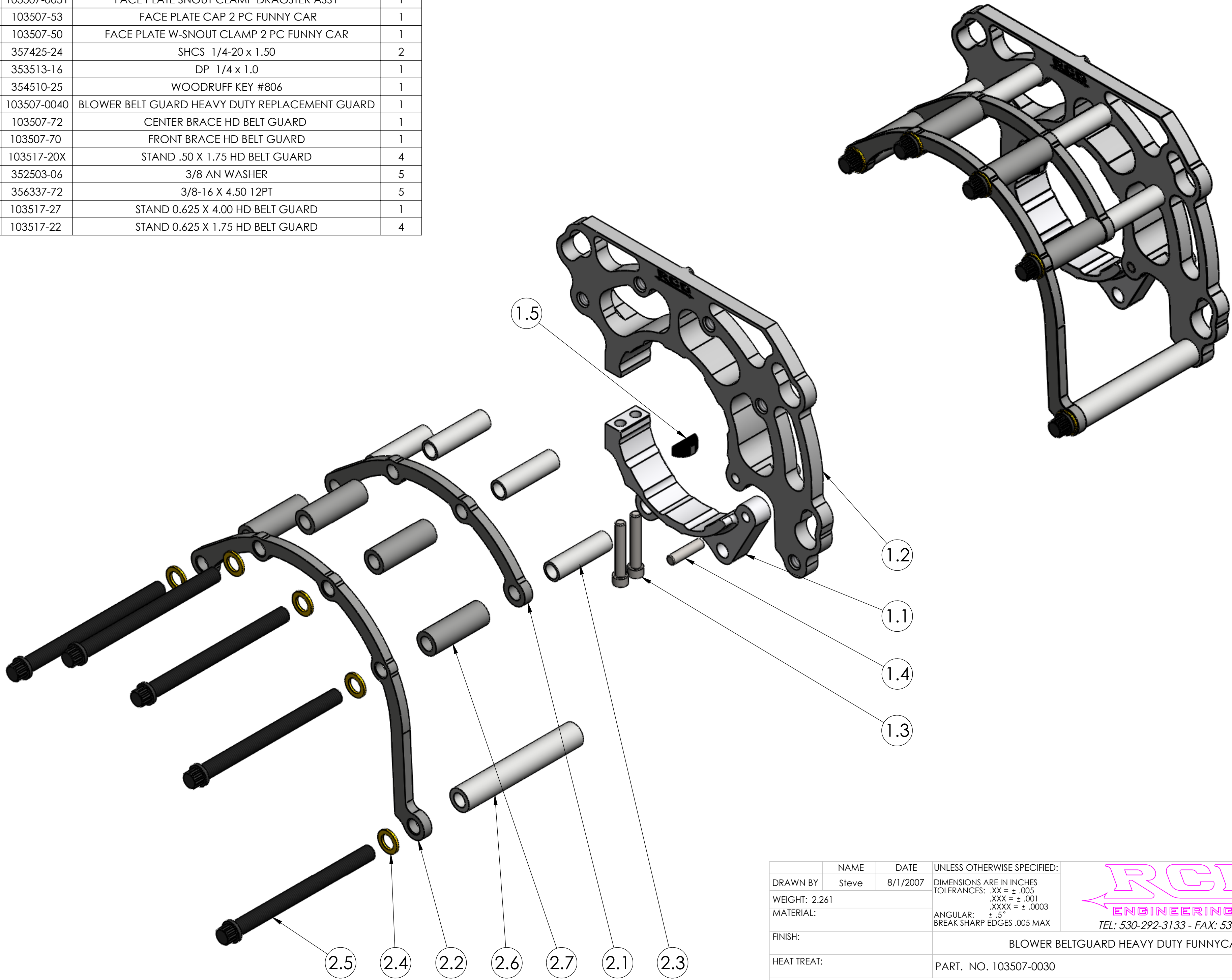



ITEM	PART NO.	DESCRIPTION	QTY.
1	103507-0051	FACE PLATE SNOOT CLAMP DRAGSTER ASSY	1
1.1	103507-53	FACE PLATE CAP 2 PC FUNNY CAR	1
1.2	103507-50	FACE PLATE W-SNOOT CLAMP 2 PC FUNNY CAR	1
1.3	357425-24	SHCS 1/4-20 x 1.50	2
1.4	353513-16	DP 1/4 x 1.0	1
1.5	354510-25	WOODRUFF KEY #806	1
2	103507-0040	BLOWER BELT GUARD HEAVY DUTY REPLACEMENT GUARD	1
2.1	103507-72	CENTER BRACE HD BELT GUARD	1
2.2	103507-70	FRONT BRACE HD BELT GUARD	1
2.3	103517-20X	STAND .50 X 1.75 HD BELT GUARD	4
2.4	352503-06	3/8 AN WASHER	5
2.5	356337-72	3/8-16 X 4.50 12PT	5
2.6	103517-27	STAND 0.625 X 4.00 HD BELT GUARD	1
2.7	103517-22	STAND 0.625 X 1.75 HD BELT GUARD	4



NAME	DATE	UNLESS OTHERWISE SPECIFIED:	 TEL: 530-292-3133 - FAX: 530-292-3738
DRAWN BY: Steve	8/1/2007	DIMENSIONS ARE IN INCHES	
WEIGHT: 2.261		TOLERANCES: .XX = ± .005	
MATERIAL:		.XXX = ± .001 .XXXX = ± .0003	
FINISH:		ANGULAR: ± .5°	BLOWER BELTGUARD HEAVY DUTY FUNNYCAR
HEAT TREAT:		BREAK SHARP EDGES .005 MAX	
PART. NO. 103507-0030			SIZE C REV
DWG LOCATION: F:\Doc_Control\103507-0030 BLOWER BELTGUARD HEAVY DUTY FUNNYCAR\			SCALE: 1:4
DWG FILE: 103507-0030 BLOWER BELTGUARD HEAVY DUTY FUNNYCAR			SHEET 1 OF 1
MODEL LOCATION: F:\Doc_Control\103507-0030 BLOWER BELTGUARD HEAVY DUTY FUNNYCAR\			
MODEL FILE: 103507-0030 BLOWER BELTGUARD HEAVY DUTY FUNNYCAR			