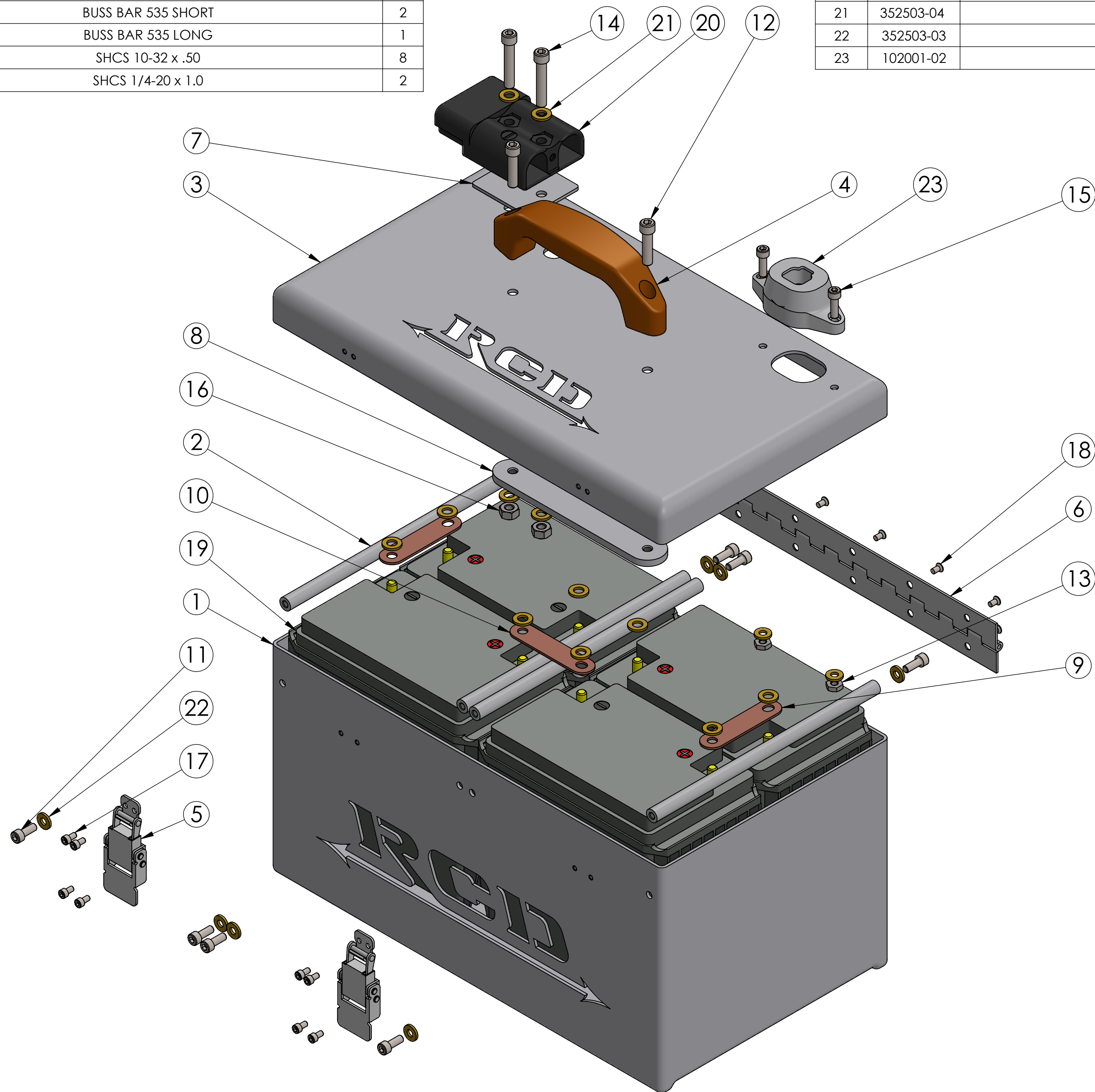



ITEM	PartNo	DESCRIPTION	QTY.
1	103005-01	BATTERY BOX 4X535	1
2	103005-10	BATTERY HOLD DOWN ROD	4
3	103005-02	BATTERY BOX LID 4X535	1
4	103303-52	HANDLE BATTERY BOX 48V	1
5	103005-03	LATCH FOR BATTERY BOX	2
6	103005-09	HINGE ASSY McMaster Carr	1
7	103005-04	ANDERSON PLUG SPACER	1
8	103005-05	NUT PLATE HANDLE	1
9	103005-06	BUSS BAR 535 SHORT	2
10	103005-07	BUSS BAR 535 LONG	1
11	356337-36	SHCS 10-32 x .50	8
12	356337-36	SHCS 1/4-20 x 1.0	2

ITEM	PartNo	DESCRIPTION	QTY.
13	355110-10	10-32 NUT HEX	2
14	357425-22	SHCS 1/4-20 x 1.375	2
15	357310-10	SHCS 10-32 x .625	2
16	355125-10	HEX NUT 1/4-20	2
17	357306-04	SHCS 6-32 x .25 SS	8
18	356906-04	100 PHILLIPS HEAD 6-32 x .25	12
19	103006-97	BATTERY ODYSSEY PC535	4
20	103006-88	BLACK PLUG FOR STARTERS	1
21	352503-04	1/4 AN WASHER	18
22	352503-03	#10 AN WASHER	10
23	102001-02	CHARGER PLUG BOSS	1



  
**RCID**  
 ENGINEERING INCORPORATED  
 TEL: 530-292-3133 - FAX: 530-292-3738  
 ODYSSEY 535 BATTERY BOX ASSY